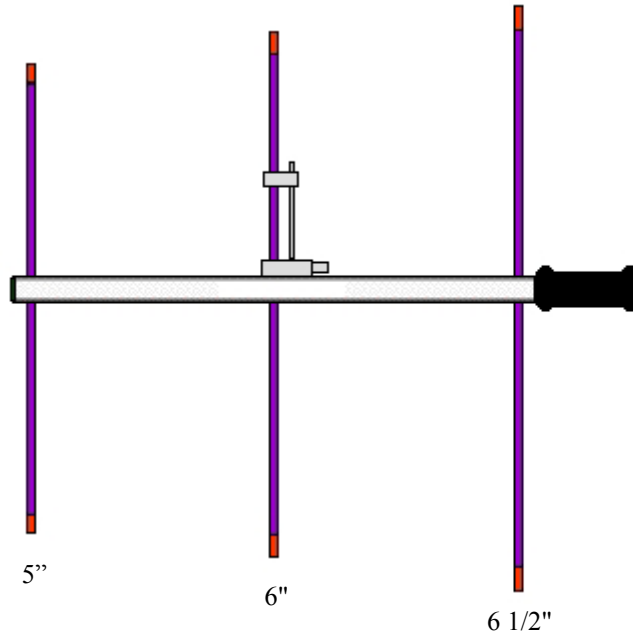


# ← Arrow Antenna →

911 E. Fox Farm Rd. #2  
Cheyenne, WY 82007

**ArrowAntennas.com**  
*Simply the Best*

(307) 222-4712  
info@arrowantennas.com



3 Element Portable Antenna for 70 cm

The Arrow II line of antennas has been engineered to provide maximum gain and efficiency in the smallest practical size & weight. **ONLY 7.5 oz.**

Aluminum **Arrow Shafts** are used for elements.

The in-line gamma match is pre-assembled & pre-tuned. BNC connector only.

The boom is  $\frac{3}{4}$ " square (with round corners) 16" long. Note the big black foam grip for easy holding.

Boom & elements all have plastic tips for safety.

### **Guarantee**

#### **No hassle refund**

If you are not completely satisfied with any ARROW ANTENNA Product it can be returned for a FULL refund less shipping and handling within 90 DAYS of purchase date.

*SIMPLY THE BEST*

### **Model**

#### **440-3**

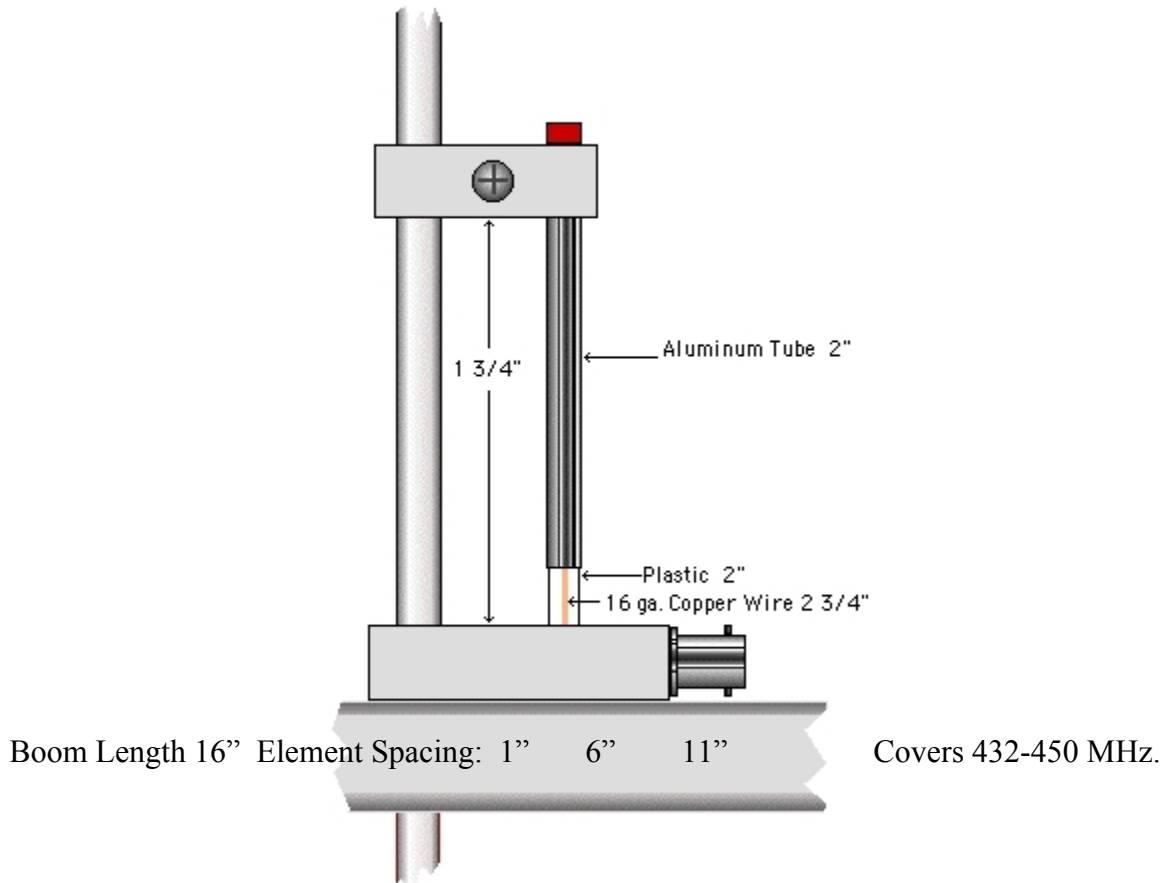
3 Elements for the 70 cm band.

We don't invent antennas.  
We simply build them better.

Part #	Price	Model 440-3 Parts List
44003	\$12.00	3 Element 440 Hand Held Boom (3/4" X 16" Long)
437 6.000	\$18.00	440 Driven Element pair - with Gamma Match, End Caps, Inserts & Stud (6 ")
437 6.500	\$ 4.00	440 Reflector Element Pair - with End Caps, Inserts, & Stud (6 1/2 ")
437 5.000	\$ 4.00	440 Director Element Pair - with End Caps, Inserts, & 2 1/4 Stud (5 ")
2.250	\$ 1.00	2 1/4 " All Thread Stud for all Elements (2 for \$1.)
SC 9/32	\$ 1.00	Red End Caps For Elements (10 for \$1.)
FP 125	\$ 1.00	Black End Caps for the Boom (4 for \$1.)
3128 Black	\$ 2.00	Black Foam Handle Grip
(Please add \$8.00 S & H per order. Thank you.)		

### Assembly Instructions

Attach the elements to the boom as shown above by screwing the elements together through holes in the boom. Attach feed lines to the BNC connectors. That's it. The antenna is pre-tuned and ready to go.



# ASSEMBLY CHECKLIST FOR OUR SHIPPING DEPARTMENT.

Circle Antenna Being Assembled:

440-3

Solid Boom

3 element holes

Hole are clear

4 tripod holes

End Caps

Foam Handle Grip

2 @ 5 1/4" elements paired

1 @ 6" driven element paired with 1 @ 6" non-driven element

2 @ 6 1/2" elements paired